

- Shear beam load cell
- 3000 divisions OIML R60 class C
- Hermetically sealed laser welded
- Measurement element from stainless steel
- Protected against humidity IP68 (EN60529)

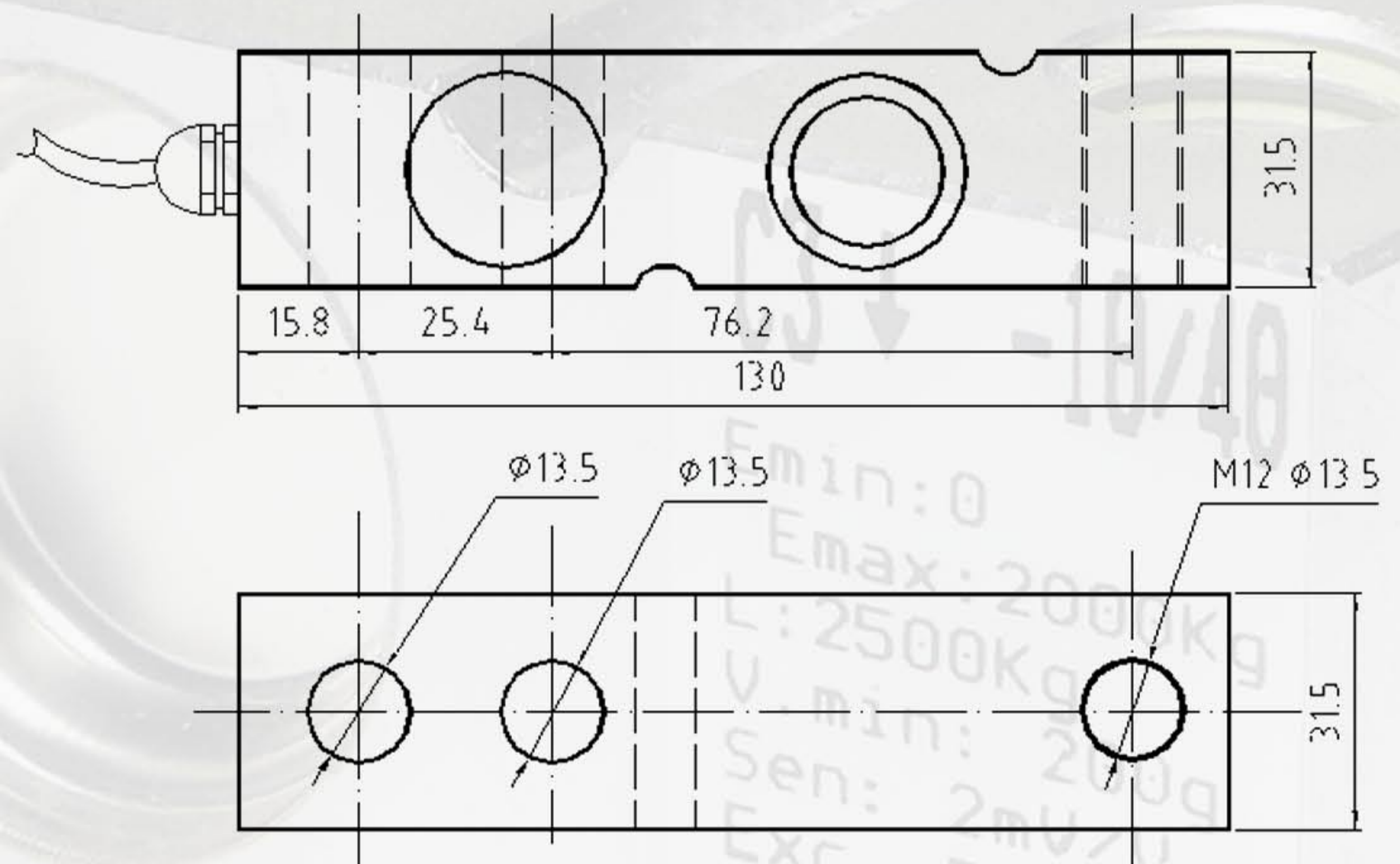
## TCC-4

500-750-1000  
1500-2000-2500 Kg

### Technical data

Accuracy class  
Nominal Sensitivity  
Vmin  
Maximum combined error  
Range of excitation  
Input resistance  
Output resistance  
Temperature limits OIML R60  
Insulation resistance  
Cable length

**C3**  
2mV/V ± 0.1%  
10000  
0.02% N.L.  
5..15V  
386 ± 5 Ω  
350 ± 5 Ω  
-10..40°C  
>5000MΩ  
4m



### Electrical connection

