

transdutec, s.a.

células de carga – load cells – weighing electronics



- **Single point load cell**
- **Shear beam load cell**
- **3000 divisions OIML R60 class C**
- **Direct platform mounting**
- **High accuracy with off-center loads**
- **Platforms up to 800x800mm**
- **Low profile**
- **Measurement element from alloy steel**
- **Protected against corrosion by nickel plated treatment**
- **Stainless steel version not certified**
- **Protected against humidity IP66 (EN60529)**



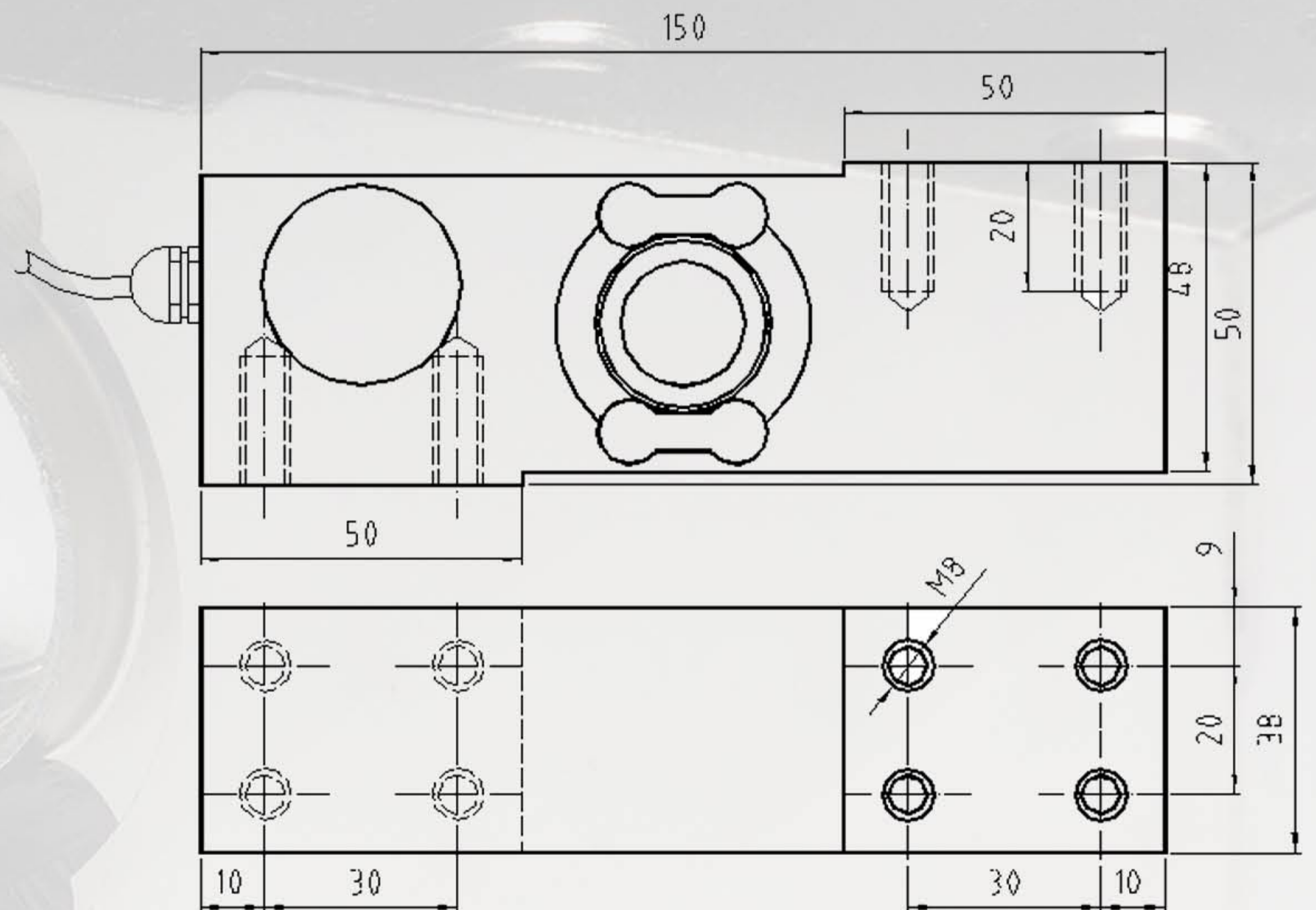
TPP-4

100-150-200-300-360-500 Kg

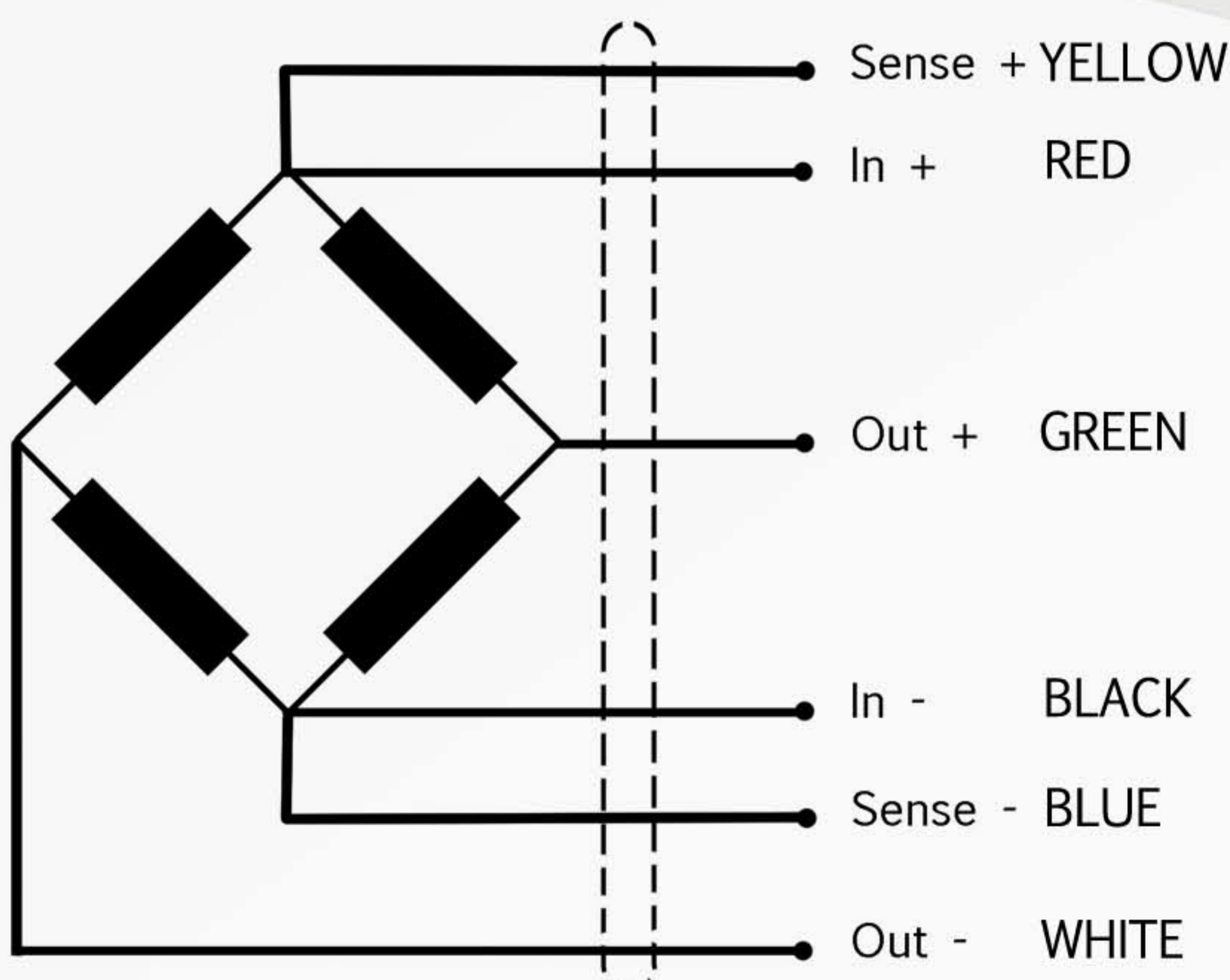
Technical data

Accuracy class
Nominal Sensitivity
V_{min}
Maximum combined error
Range of excitation
Input resistance
Output resistance
Temperature limits OIML R60
Insulation resistance
Cable length

C3
2mV/V ±1%
10000
0.02% N.L
5..15V
386 ±5 Ω
350 ±5 Ω
-10..40°C
>5000MΩ
4m



Electrical connection



OIML Certificate No.R60/2000-ES-03.04

<http://www.transdutec.com>
transdutec@transdutec.com
 T. +34 93 3810004 - F. +34 93 4620599
 cl. Joan Miró, 11
 08930 Sant Adrià de Besós - Barcelona - SPAIN